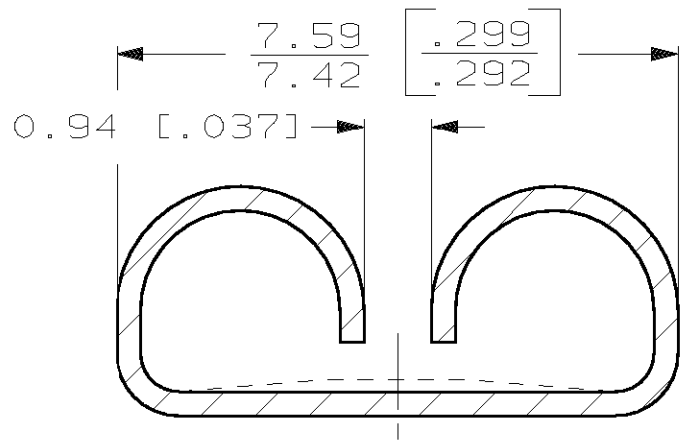
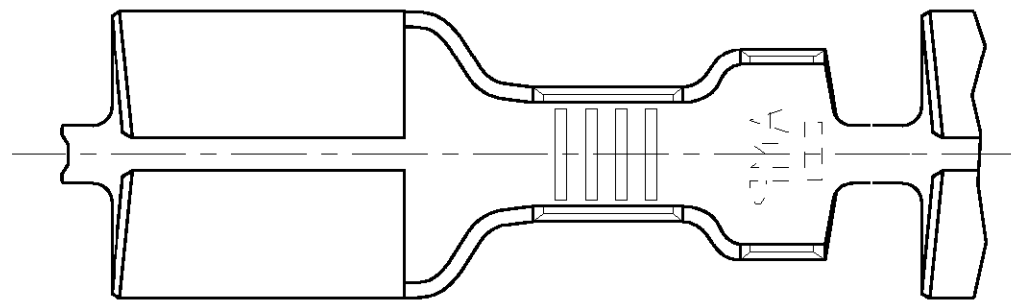
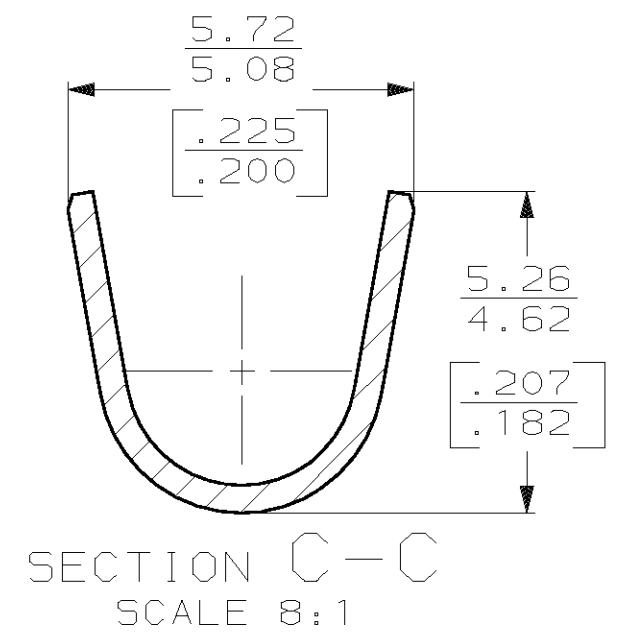
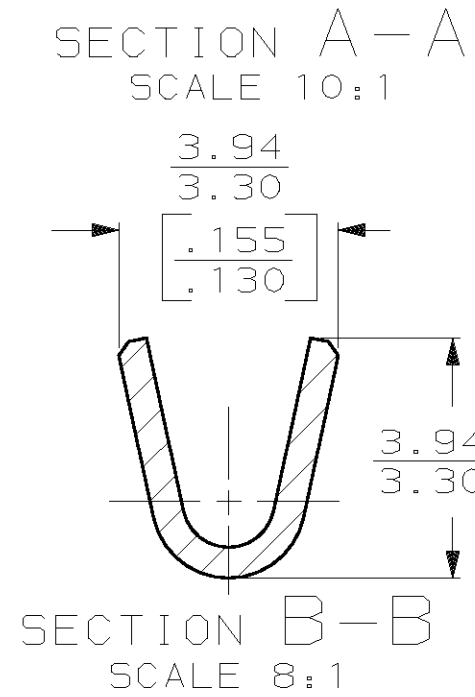
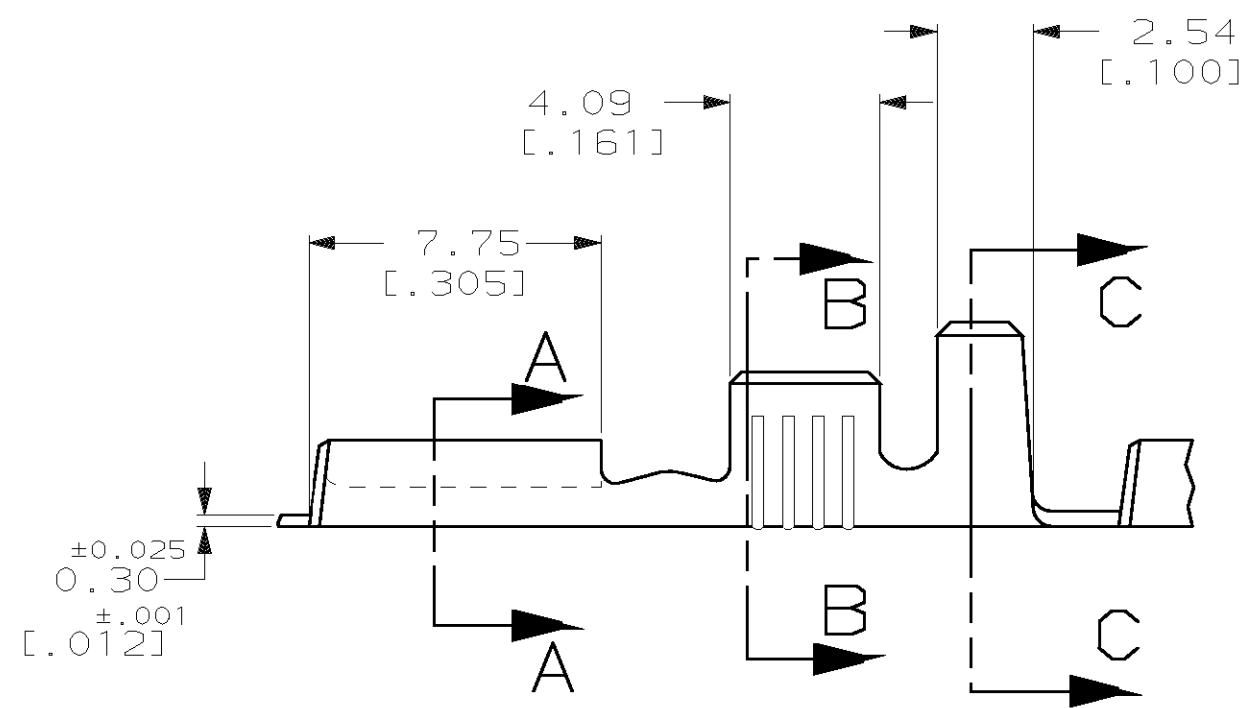


THIS DRAWING IS UNPUBLISHED. RELEASED FOR PUBLICATION ,19 .
 © COPYRIGHT 19 BY AMP INCORPORATED. ALL INTERNATIONAL RIGHTS RESERVED.

LOC	DIST	P	F	ZONE	LTR	DESCRIPTION	DATE	APPD
AF	50				C	ADDED -3 PER OG3A-0193-01	13MAR01	JR/PD



- CONTINUOUS STRIP ON REELS.
 - MATING TAB TO BE 0.81±0.025 [.032±.001].
 - WIRE SIZE IS [#20-#14] AWG.
 - INSULATION RANGE IS 2.16-3.43 [.085-.135] DIA.
- △ PRELIMINARY - NOT FOR PRODUCTION



PLAIN	△ 63648-3
TIN - STRESS RELIEVED	63648-2
PLAIN - STRESS RELIEVED	63648-1
FINISH	PART NO

DO NOT SCALE PRINT. UNLESS SPECIFIED DIMENSIONS IN mm [INCHES] TOLERANCES ON: 2 PLC DEC ± 0.25 [.010] 3 PLC DEC ± - ANGLES ± -	DR 4/3/92 JR RUTH CHK 4/3/92 MS FEHER APPD 4/3/92 C MEYERS APPD 4/3/92 D REINER
MATERIAL H04 BRASS	PRODUCT SPEC -
FINISH SEE TABLE	APPLICATION SPEC -
	WEIGHT -

AMP AMP Incorporated Harrisburg, PA 17105-3608		
NAME RECEPTACLE, FASTON, 6.35 [.250] SERIES		
SIZE B	CAGE CODE 00779	DRAWING NO 63648
SCALE 5:1	SHEET 1 OF 1	